

TOWABLE PASSENGER STAIRS



KEY FEATURES

1. Movable handrails clear the aircraft door as the platform height adjusts with the push of a hand pump
2. A battery-powered LED lighting system illuminates each step to keep everyone safe and secure
3. Heavy-duty steel frame supports as much as 2,500 lbs. (1,134 kg)
4. An automatically latching “X” in brace securely locks the stairs after they’re raised or lowered
5. Single-point hydraulic stabilizers adjust all four corners at once to prevent damage

Safely and securely board and off-load passengers.

Adjustable height, towable passenger stairs with adaptability to position deck between 85–152 in. (216–386 cm).

OPTIONS

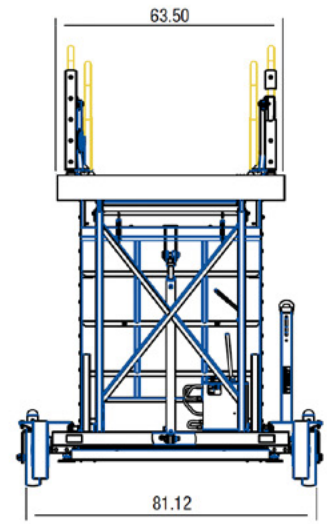
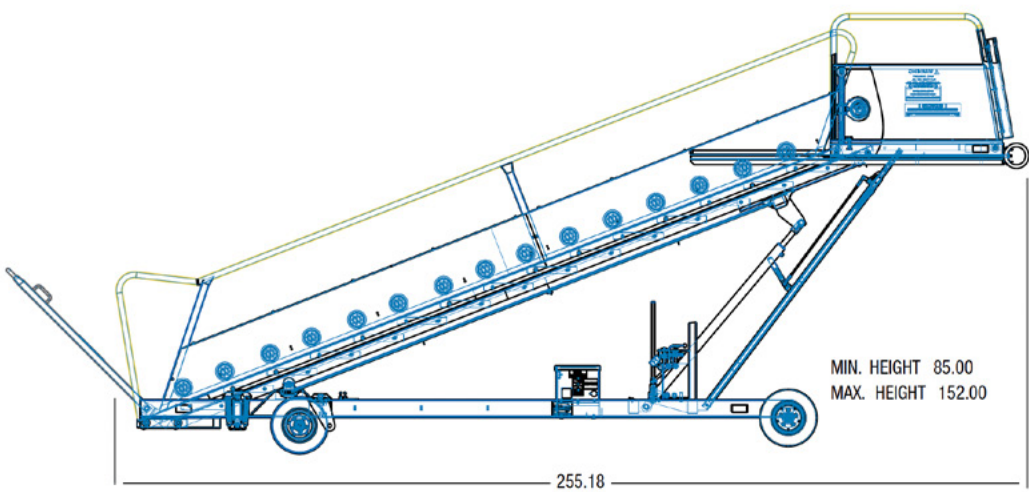
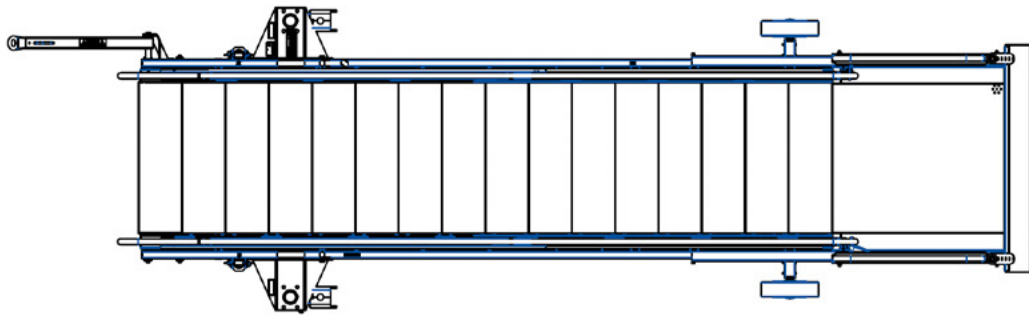
- Custom-colored canopies and side curtains provide extra comfort
- Hot-dip galvanizing provides additional corrosion resistance



**GET FULL
PRODUCT
INFO**

SPECIFICATIONS

Running Gear	Front rigid axle with solid rubber tires; single rear heavy-duty steering caster	Construction	Heavy-duty steel main frame with Morton TREAD-GRIP® walk surface
Leveling Jacks	Single-lever hydraulic	Platform Height	Adjustable from 85–152 in. (216–386 cm)
Battery	Group24 deep cycle	Platform Capacity	2,500 lbs. (1,134 kg)
Towbar	Folding, 3 in. diameter eye		



A world leader in airline, air cargo and material handling equipment for over 45 years.

FAST Global Solutions designs, builds, installs and services an expansive portfolio of robust, ruggedly-built, dependable equipment for today's global commerce operations. To learn more, contact the knowledgeable and experienced FAST Team.

GSE@fastsolutions.com +1 (320) 634-5126 fastsolutions.com